

ASSEMBLING THE SPARLATOR® SPAR-900 REDUCING-VALVE

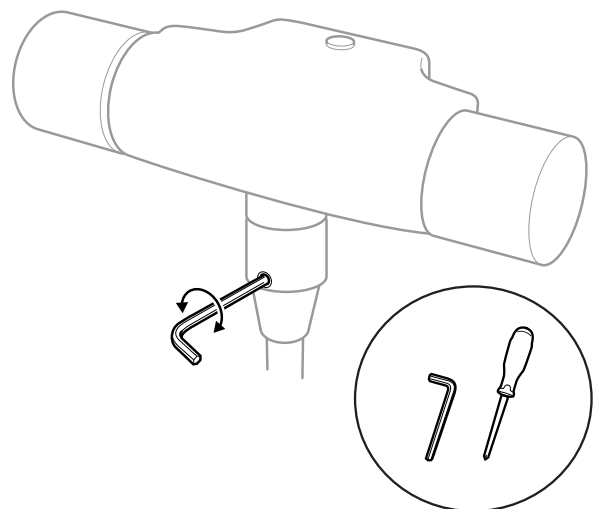
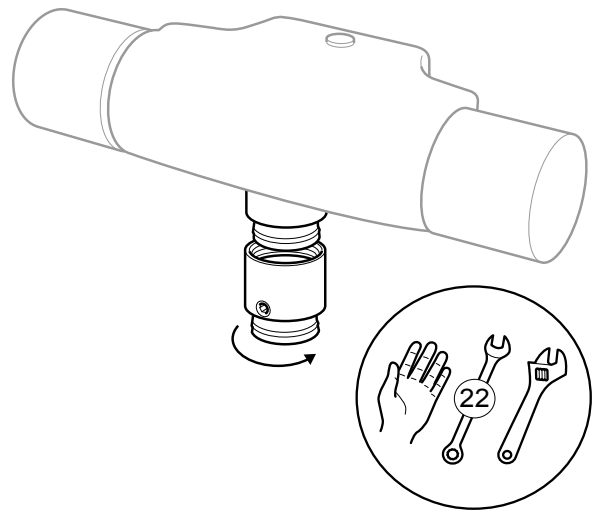
The Reducing-Valve replaces the Sparlator® Saving Hose. In combination with the Sparlator® Shower Handle, it combines adjustable and high water pressure with excellent economy. Other products do not provide a pressure that is sufficiently high. The flow is adjustable between 6 and 12 litres/minute.

If the trimming screw is for socket head cap screws, use the one enclosed with the Reducing-Valve. Otherwise, use a regular screwdriver.

1. Put the Reducing-valve between mixer tap and shower hose and tighten it manually as much as you can.

2. Fasten the Reducing-Valve with a 22 mm adjustable spanner. You don't have to tighten it more than 1/4 — 1/2 rounds. Assemble the shower hose and the shower handle and adjust the flow with the screw (see picture) in order to obtain a sufficiently high pressure and comfort.

Tip: Turn the shower jets towards the ceiling and adjust the height of the jets to approx. 80 — 100 cm. The Sparlator® Showers cc will now use an 8-9 litres/minute flow.



ELLESS

WATER SAVING SYSTEM

ELLESS Water Saving System AB
Phone: +46 (0) 8 - 600 50 02

Patrick Lundberg
patrick@ewss.se

Stefan Rosén
stefan@ewss.se